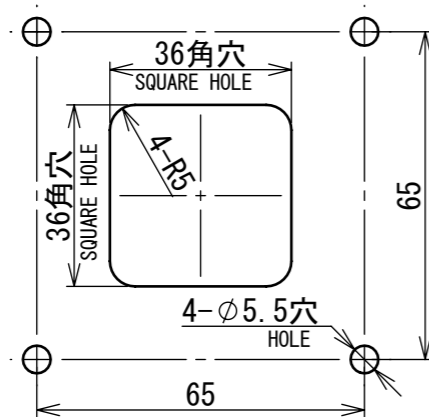
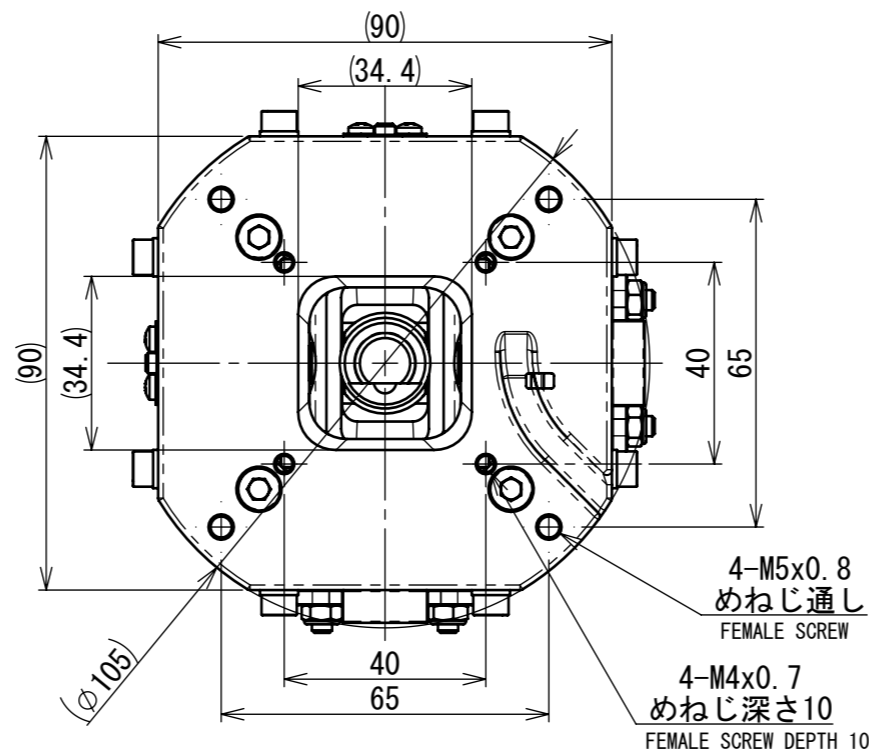


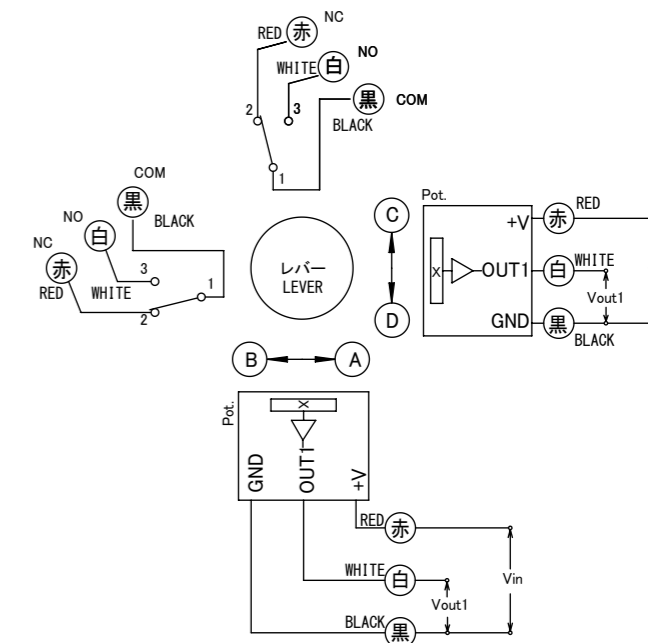
**取付寸法図**  
J3C 互換用  
PANEL MOUNT HOLE LAYOUT  
FOR J3C COMPATIBLE



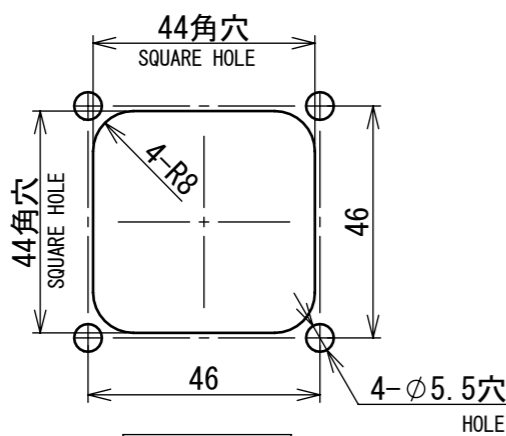
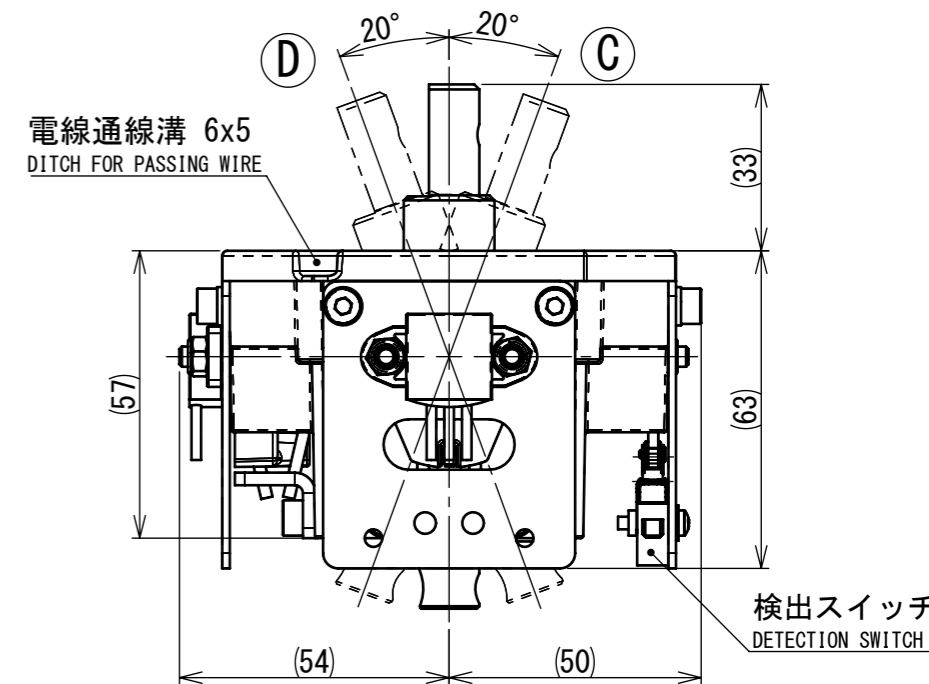
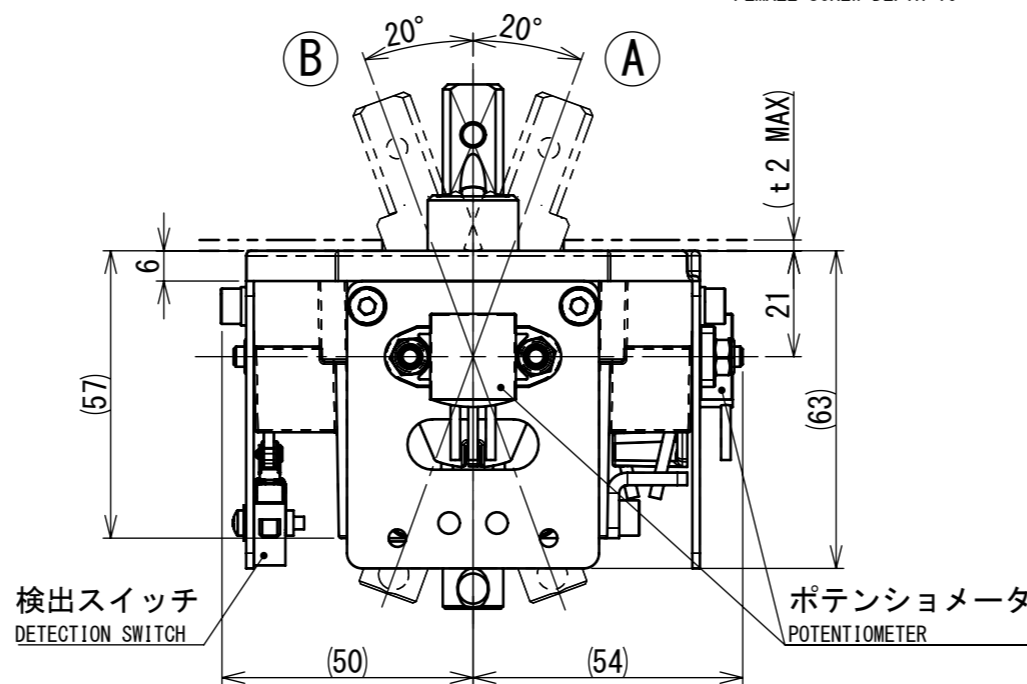
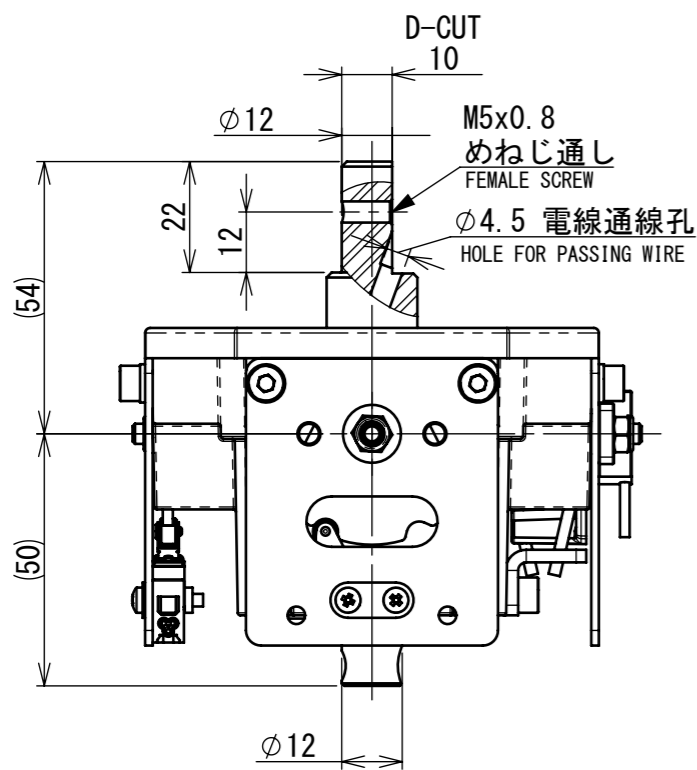
**取付寸法図**  
PANEL MOUNT HOLE LAYOUT



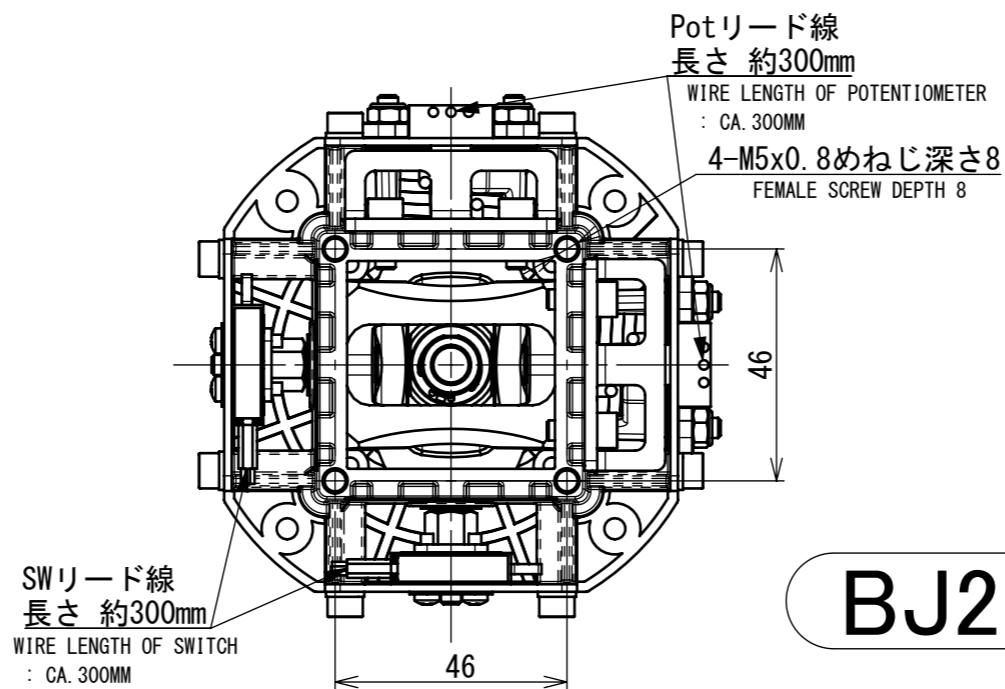
**レバー操作パターン**  
LEVER OPERATION PATTERN



**配線図**  
CIRCUIT DIAGRAM  
赤、白、黒は電線の色を示す  
THE JACKET COLOR OF WIRE : RED, WHITE AND BLACK



**取付寸法図**  
カスタム底面取付  
PANEL MOUNT HOLE LAYOUT  
CUSTOM BOTTOM MOUNT  
＜レバーの干渉に注意＞  
＜NOTE THE INTERFERENCE OF THE LEVER＞



**BJ2**

